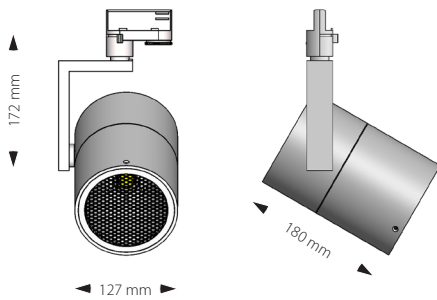


Product No.	System Load*	LED Lumen	Beam Angle	Colour Temp	CRI	Driver
<b>907276.000</b>	21W	2000Lm (19.1W MAX)	40°	4000K	95+	48V DC



**Technical data:**

- 3 Circuit Euro track adapter
- Aluminium housing
- Rotates by 355° tilts 180°
- 40° reflector fitted as standard
- 20° & 60° reflectors available on request
- Honeycomb louver, spreader lenses available on request
- Suitable for 48V DC PS remote electronic LED driver powered track
- XIM GEN4 BLE DALI module as standard, 1-10V dimming available up on request
- Bluetooth wireless DALI control
- Xicato Intelligent Gateway, Sensors and Configuration Tool available up on request
- Finish: Satin White as standard
- \*Connected electrical loads are rated values and subject to a tolerance of +/- 10%
- NSW24559



Xicato Intelligent Module Artist LED Info.:

Module Family	CRI (Ra)	Driver Voltage (V)	Lumen Output (%)	Typ. Wattage (W)	Efficacy (Typical) (Lm/W)	Colour Temperature (K)				Life (Hrs.)
						2700	3000	3500	4000	
XIM G4 19mm 2000 lm (DALI)	95+	48	100	18.2	110					50,000
		48	75	13.1	114	●	●	●	●	
		48	50	8.6	117					
		48	1	0.54	37					