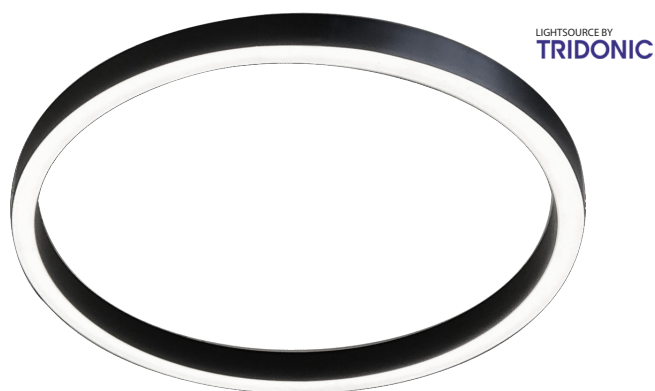


3S Lighting Standard Product Datasheet LED EXTRUDED CURVED ALUMINIUM LUMINAIRE 88(H)X80(W)

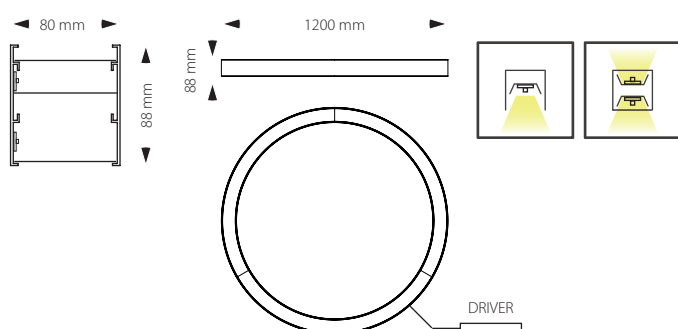
Product No.	System Power / m*	LED Lumen / m	Colour Temp	CRI	Driver
805088.120	15W	1550lm	4000K	80+	Non Dim



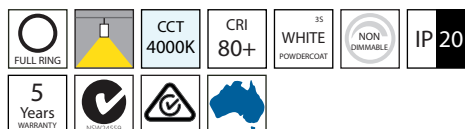
Product Features

- Aluminium construction
- Satin LED diffuser for uniform light distribution
- 4000K, CRI>80 LED
- Supplied complete with remote LED driver
- Driver options: Non Dimmable, DALI, BLE wireless, CASAMBI, GALAXI(XICATO)
- Supplied complete with 3m Clear Flex
- Accessories: 3x2m wire suspension
- Finished in 3S White or 3S Black (other colours to specification)
- *Connected electrical loads are rated values and subject to a tolerance of +/- 10%

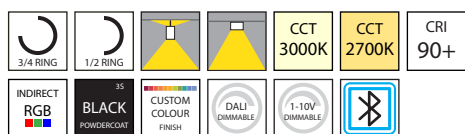
Product Dimensions



Product Standard



Product Options



■ Luminaire Specification

Product No.	Colour Temp	LED Lumen / m	CRI	Typical System Power / m	Driver	Diffuser	Trim Colour	
805088.XYZ	<input type="checkbox"/> 4000K	<input type="checkbox"/> Downlight	1550lm	80+	15W	<input type="checkbox"/> NON- DIM <input type="checkbox"/> DALI <input type="checkbox"/> 1-10V	<input type="checkbox"/> NRLED	<input type="checkbox"/> 3S WHITE
		<input type="checkbox"/> Uplight	520lm	80+	5W			<input type="checkbox"/> 3S BLACK
		<input type="checkbox"/> Uplight	1050lm	80+	10W			
		<input type="checkbox"/> Uplight	1550m	80+	15W			<input type="checkbox"/> CUSTOM
	<input type="checkbox"/> 3000K	<input type="checkbox"/> Downlight	1550lm	80+	15W			
		<input type="checkbox"/> Uplight	520lm	80+	5W			
		<input type="checkbox"/> Uplight	1050lm	80+	10W			
		<input type="checkbox"/> Uplight	1550m	80+	15W			
	Notes							

■ Luminaire Configuration

Ring Configuration	<input type="checkbox"/> Full Ring	<input type="checkbox"/> 3/4 Ring	<input type="checkbox"/> 1/2 Ring	Colour LED Options	<input type="checkbox"/> RGB Uplight	<input type="checkbox"/> RGBW Uplight
Mounting Options	<input type="checkbox"/> Wire Suspended 2m	<input type="checkbox"/> Rod Suspended 1m	<input type="checkbox"/> Surface Mounted			
Connectivity	<input type="checkbox"/> Casambi	<input type="checkbox"/> TRIDONIC basicDIM Wireless	<input type="checkbox"/> Xicato Galaxi			

"XYZ" - Part No. to be advised by 3S Lighting based on the combination of configurable options selected

■ Notes

■ Project Information

Project Name:		Type:	
Quantity:		Expected Due Date:	
Client's Name:		Date of Issue:	
Notes:		Signature:	

■ Light Source

TRIDONIC

Tallex LLE8 fLEX ADV Gen2

Initial Color Consistency: 3 SDCM

Lumen Maintenance: L70/B10 at 50,000 hours

Color Temperatures: 2700K, 3000K, 4000K and 6500K

Warranty: 5 years

Long life-time: up to 50,000 hours

Flexibility: High Design Freedom due to 100mm Cut- Option

■ APPs (with XID / TBW driver only)

[... click for more information](#)



CASAMBI, Tridonic basicDim Wireless and XICATO Galaxi

Lighting control solutions provide for all the control options that are expected from a full featured professional lighting control solution, Apps available for both iOS and Android.

[... click for more information](#)