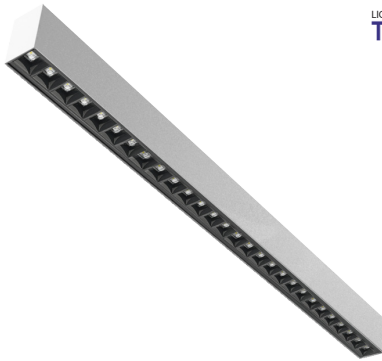


Product No.	System Power / m*	System Lumen / m	Colour Temp	CRI	Driver
804192.000	30.3W	3921lm	4000K	80+	Non Dim

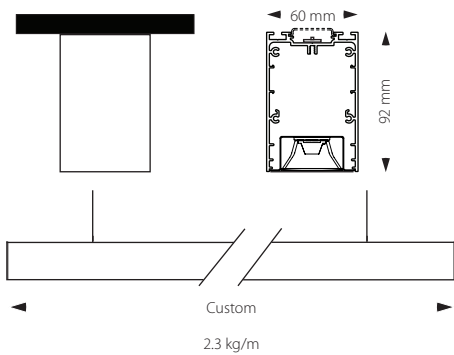


LIGHTSOURCE BY
TRIDONIC

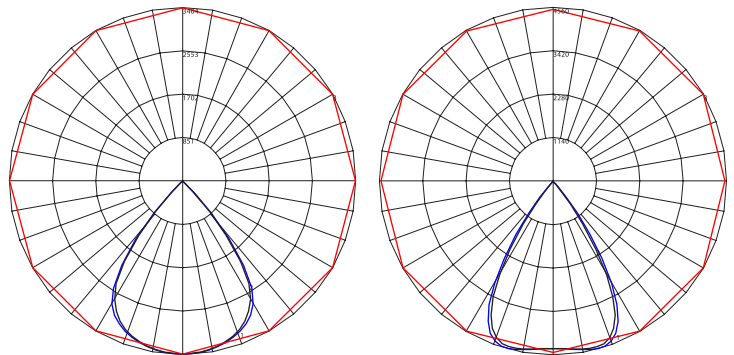
■ Product Features

- Clip in LED shade for low glare light distribution
- Downlight lenses options: 80°/50° beam
- Downlight LED options: LED LLE24 3000K/4000K, CRI>80
- Driver options: Non Dimmable, DALI, BLE wireless, DSI, corridorFUNCTION and ready2mains
- LED Uplight option: 3000K/4000K/Red/Green/Blue
- Accessories: Wire suspensions
- Finished in 3S White or 3S Black (other colours to specification)
- *Connected electrical loads are rated values and subject to a tolerance of +/- 10%

■ Product Dimensions



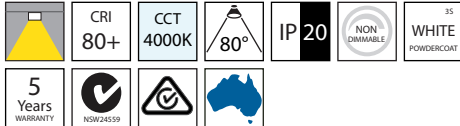
■ Reflector Polar Curve



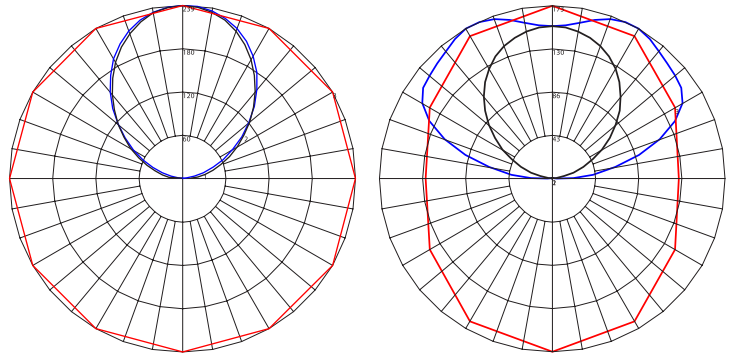
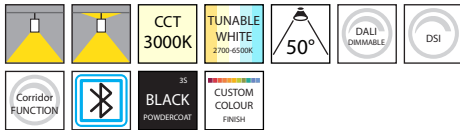
80° Downlight (Matt Black)

50° Downlight (Matt Black)

■ Product Standard



■ Product Options



100° Uplight

134° Uplight

■ Luminaire Specification

Product No.	Direction	Colour Temp	Optics	System Lumen / m	CRI	Typical System Power / m	Driver	Trim Colour		
804192.XYZ	Downlight	<input type="checkbox"/> 4000K	<input type="checkbox"/> 80 DEG	3921lm	80+	30.3W	<input type="checkbox"/> NON- DIM <input type="checkbox"/> DALI	<input type="checkbox"/> 3S WHITE		
			<input type="checkbox"/> 80 DEG	2066lm	80+	15.1W				
			<input type="checkbox"/> 50 DEG	4104lm	80+	30.3W				
			<input type="checkbox"/> 50 DEG	2116lm	80+	15.1W				
		<input type="checkbox"/> 3000K	<input type="checkbox"/> 80 DEG	3921lm	80+	30.3W				
			<input type="checkbox"/> 80 DEG	1975lm	80+	15.1W				
			<input type="checkbox"/> 50 DEG	3951lm	80+	30.3W				
			<input type="checkbox"/> 50 DEG	2022lm	80+	15.1W				
	<input type="checkbox"/> Uplight	<input type="checkbox"/> 4000K	<input type="checkbox"/> 134 DEG	545lm	80+	5.7W	<input type="checkbox"/> 3S BLACK <input type="checkbox"/> CUSTOM			
			<input type="checkbox"/> 100 DEG	537lm	80+	5.7W				
		<input type="checkbox"/> 3000K	<input type="checkbox"/> 134 DEG	523lm	80+	5.7W				
			<input type="checkbox"/> 100 DEG	515lm	80+	5.7W				
	Notes									

■ Luminaire Configuration

Mounting Options	<input type="checkbox"/> Wire Suspended 2m <input type="checkbox"/> Rod Suspended 1m <input type="checkbox"/> Surface Mounted <input type="checkbox"/> Wall Mounted	Bend Joins	<input type="checkbox"/> 90° / Custom
Supply Lead	<input type="checkbox"/> 3Core Flex 2m <input type="checkbox"/> Flex & Plug 1.5m <input type="checkbox"/> 5Core Flex <input type="checkbox"/> Terminal Block	Lamp Configuration	<input type="checkbox"/> Continuous <input type="checkbox"/> Other
Connectivity	<input type="checkbox"/> Casambi <input type="checkbox"/> TRIDONIC basicDIM Wireless <input type="checkbox"/> Xicato Galaxi	Driver	<input type="checkbox"/> Integral <input type="checkbox"/> Remote
Accessories	<input type="checkbox"/> EM Module		

Basic Unit Lengths 1120mm 2240mm 3360mm 4480mm Add 3+3mm (End Cap) to your configuration to achieve Over All Length of the Linear System

"XYZ" - Part No. to be advised by 3S Lighting based on the combination of configurable options selected

■ Notes

■ Project Information

Project Name:		Type:	
Quantity:		Expected Due Date:	
Client's Name:		Date of Issue:	
Notes:		Signature:	

■ Light Source

TRIDONIC

Tallex LLE24 Boards

Initial Color Consistency: 3 SDCM Lumen Maintenance: L70/B10 at 72,000 hours Color Temperatures: 3000K, 4000K Warranty: 5 years Long life-time: up to 72,000 hours

[... click for more information](#)

■ APPs (with XID / TBW driver only)



CASAMBI, Tridonic basicDim Wireless and XICATO Galaxi

Lighting control solutions provide for all the control options that are expected from a full featured professional lighting control solution, Apps available for both iOS and Android.

[... click for more information](#)