

Product No.	System Power / m*	LED Lumen / m	Colour Temp	CRI	Driver
805500.000	34.49W	5537lm	4000K	80+	Non Dim

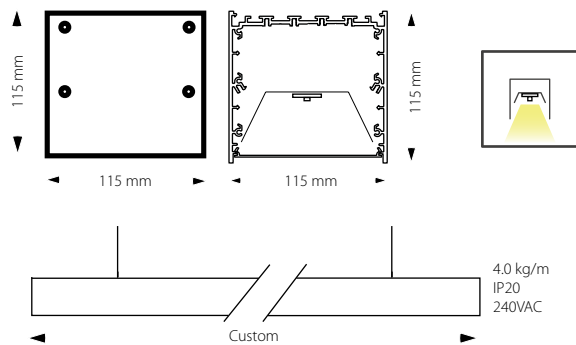


LIGHTSOURCE BY
TRIDONIC

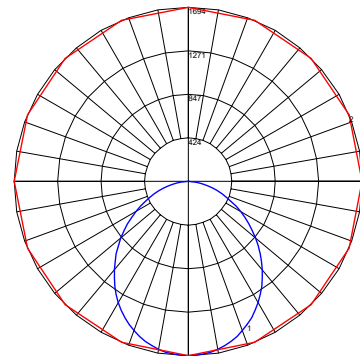
■ Product Features

- Clip in frosted acrylic diffuser for uniform light distribution
- LED Lamp options: LED LLE24 3000K/4000K, CRI>80
- Driver options: Non Dimmable, DALI, BLE wireless, DSI, corridorFUNCTION and ready2mains
- Accessories: Wire suspensions
- Finished in 3S White , 3S Black or Natural Anodised, (other colours to specification)

■ Product Dimensions



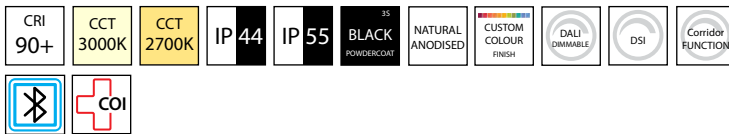
■ Reflector Polar Curve



■ Product Standard



■ Product Options



■ Luminaire Specification

Product No.	Colour Temp	LED Lumen / m	CRI	Typical System Power / m	Driver	Diffuser	Trim Colour		
805500.XYZ	<input type="checkbox"/> 4000K	<input type="checkbox"/> 1469lm	80	8.13W	<input type="checkbox"/> NON- DIM <input type="checkbox"/> DALI	<input type="checkbox"/> NRLED <input type="checkbox"/> GHLED	<input type="checkbox"/> 3S WHITE		
		<input type="checkbox"/> 2898lm	80	16.64W			<input type="checkbox"/> 3S BLACK		
		<input type="checkbox"/> 4494lm	80	27.67W			<input type="checkbox"/> NAT ANO		
		<input type="checkbox"/> 5537lm	80	34.49W			<input type="checkbox"/> CUSTOM		
	<input type="checkbox"/> 3000K	<input type="checkbox"/> 1404lm	80	8.13W					
		<input type="checkbox"/> 2769lm	80	16.64W					
		<input type="checkbox"/> 4295lm	80	27.68W					
		<input type="checkbox"/> 5291lm	80	34.49W					
	Notes								

■ Luminaire Configuration

Mounting Options	<input type="checkbox"/> Wire Suspended 2m <input type="checkbox"/> Rod Suspended 1m <input type="checkbox"/> Surface Mounted <input type="checkbox"/> Wall Mounted	Bend Joins	<input type="checkbox"/> 90° / Custom
Supply Lead	<input type="checkbox"/> 3Core Flex 2m <input type="checkbox"/> Flex & Plug 1.5m <input type="checkbox"/> 5Core Flex <input type="checkbox"/> Terminal Block	End Caps	<input type="checkbox"/> Screwless <input type="checkbox"/> IP Gasket
Connectivity	<input type="checkbox"/> Casambi <input type="checkbox"/> TRIDONIC basicDIM Wireless <input type="checkbox"/> Xicato Galaxi	Lamp Configuration	<input type="checkbox"/> Continuous <input type="checkbox"/> Other
Accessories	<input type="checkbox"/> EM Module <input type="checkbox"/> LED Downlight <input type="checkbox"/> LED Uplight	Driver	<input type="checkbox"/> Integral <input type="checkbox"/> Remote

Basic Unit Lengths 1124mm 2248mm 2810mm 5058mm Add 30mm (End Cap) to your configuration to achieve Over All Length of the Linear System

"XYZ" - Part No. to be advised by 3S Lighting based on the combination of configurable options selected

■ Notes

■ Project Information

Project Name:		Type:	
Quantity:		Expected Due Date:	
Client's Name:		Date of Issue:	
Notes:		Signature:	

■ Light Source

TRIDONIC

Tallex LLE24 Boards ADV Gen5

Initial Color Consistency: 3 SDCM

Lumen Maintenance: L70/B10 at 72,000 hours

Color Temperatures: 2700K, 3000K, 4000K

Warranty: 5 years

Long life-time: up to 72,000 hours

■ APPs (with XID / TBW driver only)



CASAMBI, Tridonic basicDim Wireless and XICATO Galaxi

Lighting control solutions provide for all the control options that are expected from a full featured professional lighting control solution, Apps available for both iOS and Android.

[... click for more information](#)

[... click for more information](#)