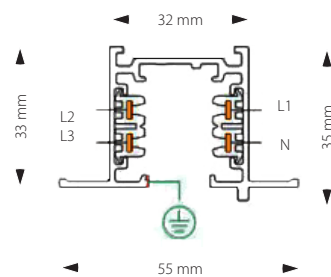


| Product No. | Description | | Finish |
|-------------------|--------------------|---------------|--------|
| 900197.000 | 2M 3-CIRCUIT TRACK | AC 250V 16AMP | WHITE |
| 900198.000 | 2M 3-CIRCUIT TRACK | AC 250V 16AMP | BLACK |
| 900199.000 | 2M 3-CIRCUIT TRACK | AC 250V 16AMP | SILVER |

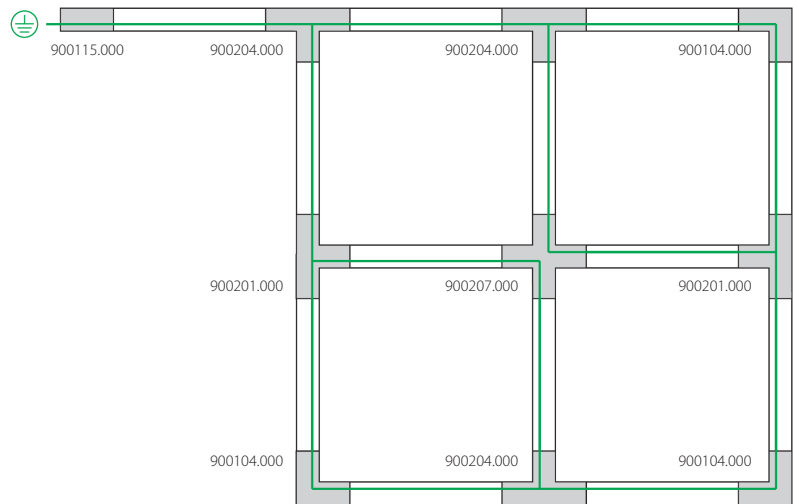


Technical data:

- Aluminium body, powder-coated
- 3 Circuit 16 AMPS (3680W max.) connection, L1, L2, L3, neutral and earth
- 4 isolated copper conductors and earth
- Recessed mounted
- Finish: Satin white, Black and Silver colours on request
- For all wiring options please contact 3S LIGHTING
- NSW24559



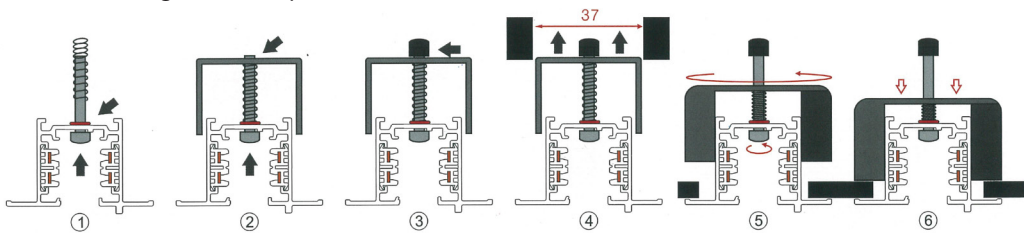
Installation Examples



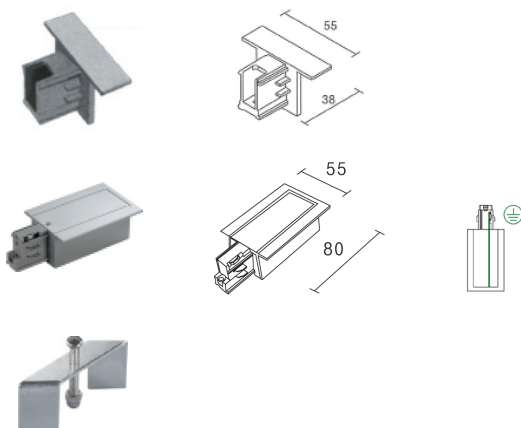
Cutout Size

| L:1M | L:2M | L:3M |
|---------|---------|---------|
| 37x1083 | 37x2083 | 37x3083 |

Installation- Wing Track fixed plate



ACCESSORIES



| Product No. | DESCRIPTION | FINISH |
|-------------------|---|--------|
| 900134.000 | WING TRACK END CAP | WHITE |
| 900135.000 | WING TRACK END CAP | BLACK |
| 900136.000 | WING TRACK END CAP | SILVER |
| 900115000 | 3C WING TRACK LIVE END FEED RIGHT HAND SIDE | WHITE |
| 900116.000 | 3C WING TRACK LIVE END FEED RIGHT HAND SIDE | BLACK |
| 900117.000 | 3C WING TRACK LIVE END FEED RIGHT HAND SIDE | SILVER |
| 900110.000 | WING TRACK FIXED PLATE | |